

Class 150 Stainless Steel Ball Valves

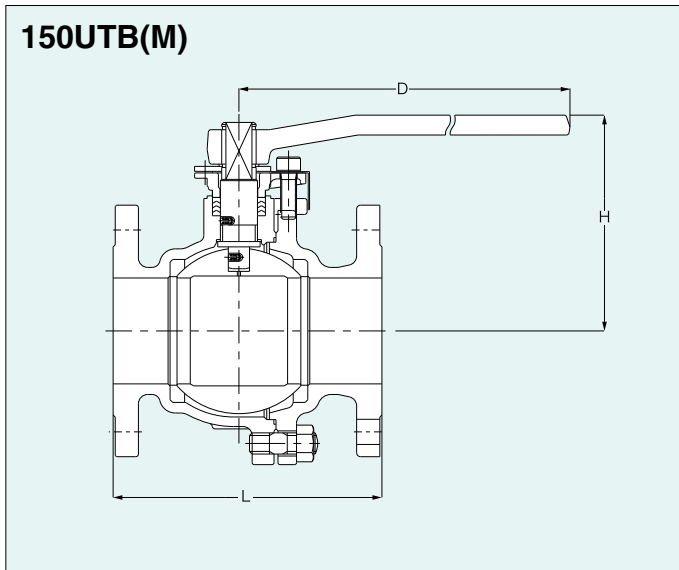
Full bore, Split body, Side entry design

Features

- Antistatic device
- Blowout-proof stem
- Double "D" stem head
- High performance **HYPATITE® PTFE** ball seats

Page 111 for Pressure-Temperature Ratings.

Page 39 for Construction and Materials.



Dimensions of 150UTB(M)

Unit: mm

Nominal Size	NPS	1/2	3/4	1	1 1/2	2	2 1/2	3	4	5	6	8	10
	DN	15	20	25	40	50	65	80	100	125	150	200	250
Ball bore		15	20	25	40	50	65	80	100	125	150	200	250
L		108	117	127	165	178	190	203	229	356	394	457	533
H		102	105	124	115	120	155	165	200	220	295	355	Gear operation
D		130	130	160	230	230	400	400	460	460	1000	1500	Gear operation

Valve operator

NPS 1/2 to 8: Lever operation
 NPS 5 to 8: Optional gear operation
 NPS 10: Standard gear operation

Gear Operation

Unit: mm

Nominal Pressure	Class 150	Gear Operator			
		H	D	C	A
Nominal size (NPS)	5	312	310	165	65.5
	6	337	310	165	65.5
	8	414	360	210	88.5
	10	477	500	363	93.5

Worm gear operators may be mounted on KITZ ball valves at your option for the smoothest valve operation. Electric or pneumatic actuators are also optionally available. Contact KITZ distributors for appropriate choice and sizing of valve actuators.

Construction and Materials

■ Standard material configuration can be applied to sour service.

No.	Parts	Standard	
		150UTB	150UTBM
1	Body	A351 Gr. CF8	A351 Gr. CF8M
2	Body cap	A351 Gr. CF8	A351 Gr. CF8M
3	Stem	A276 Type 304	A276 Type 316
4	Ball	A276 Type 304 or A351 Gr. CF8	A276 Type 316 or A351 Gr. CF8M
7	Gland	A351 Gr. CF8	
8	Gland packing	PTFE	
9	Handle* ¹	Ductile iron	
16A	Name plate	Aluminum	
16B	Washer	Carbon steel	
19	Gasket	PTFE	
20	Packing washer* ²	A276 Type 316* ⁴	
30	Ball seat	HYPATITE® PTFE	
33	Cap nut	A194 Gr. 8	
35	Cap bolt	A193 Gr. B8	
36	Gland bolt	Stainless steel	
47	Thrust washer	Reinforced PTFE	
48	Snap ring	A276 Type 304* ³	
49	Stopper	A276 Type 304* ³	
67	Stem bearing	Reinforced PTFE	
123	Handle bolt	NPS 6 to 10	Carbon steel
124A	Spring & pin	NPS 2½ to 10	A313 & A276 Type 316
124B	Spring	NPS ½ to 2	A313 Type 316* ⁴

*1 Bar type handles are used for NPS 6 and 8. Worm gear operations are used for NPS10.

*2 Packing washers are used only for NPS 1 and smaller.

*3 A276 Type 304 or equivalent

*4 A276 Type 316 or equivalent

All part numbers are corresponding with those shown in valve assembly drawings.

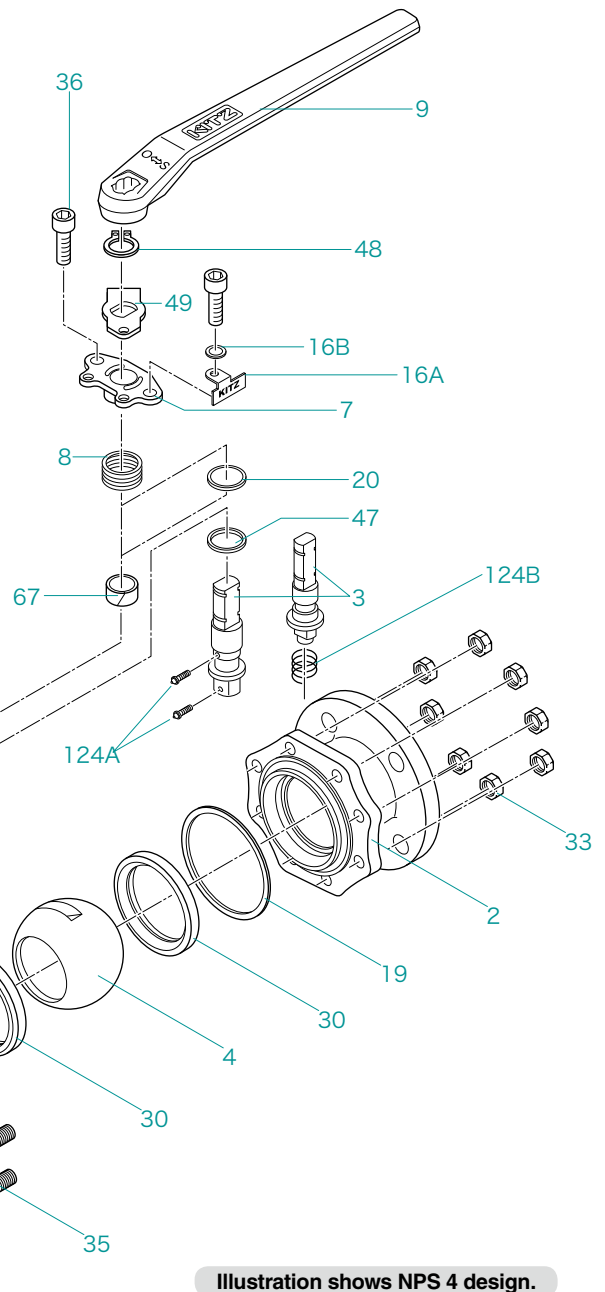


Illustration shows NPS 4 design.