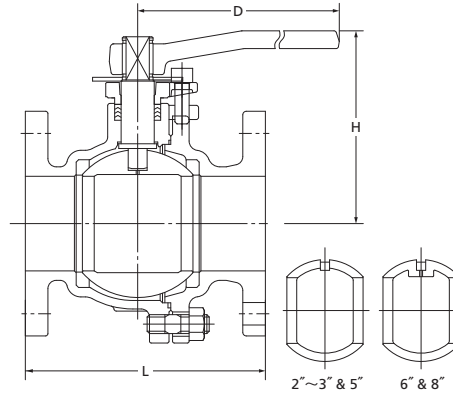


# 10K Ball Valve Full Bore

**10STBF**  
**10STLBF (Gas service)**  
 FF-flanged



F-F dimension : ASME B16.10  
 End flanges : JIS B 2239 10K

### Maximum Service Pressure

Code	Valve size	Temperature	Pressure
10STBF	All size	120°C W.O.G.	1.4MPa
	4" and smaller	160°C W.O.G.	1.0MPa
	5" to 8"	140°C W.O.G.	1.0MPa
10STLBF	All size	80°C gas	1.2MPa

● Use for lubricating or hydraulic oil is acceptable.

### Materials

Parts	JIS material
Body	FCD-5
Body cap	FCD-5
Stem	SUS403
Ball	SCS13A / SUS304 / SUS304TP
Gland	FCD-5
Gland packing	PTFE
Handle	FCD400
Gasket	PTFE
Packing washer	SUS304 (1/2"~1 1/4")
Ball seat	HYPATITE PTFE *1
Cap bolt/nut	SS400 *2
Gland bolt	SCM435
O ring *3	NBR
Stopper	SUS430
Name plate *3	SUS304

\*1 PTFE or C/F PTFE is optionally available.

\*2 Different bolt/nut material is required for service exceeding temperature range of 0 ~ 225°C. Contact KITZ Corporation for technical advice.

\*3 for 10STLB only

Contact KITZ Corporation for use of valve actuators.

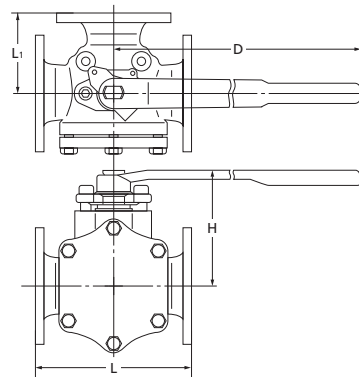
### Dimensions

Size	mm											
	mm inch	15 1/2	20 3/4	25 1	32 1 1/4	40 1 1/2	50 2	65 2 1/2	80 3	100 4	125 5	150 6
L	108	117	127	140	165	178	190	203	229	356	394	457
H	106	109	130	135	115	120	153	162	199	219	293	352
D	130	130	160	160	230	230	400	400	460	460	1000	1500

NOTE : For flange dimensions, refer to Page 40. ※RF-flanged ends shall be optionally available.

# 10K Ball Valve 3-way 4-seat

**10STB4LAF** (L port. Full Bore 1 1/2"~4")  
**10STB4TAF** (T port. Full Bore 1 1/2"~4")  
**10STR4LAF** (L port. Reduced Bore 5" & larger)  
**10STR4TAF** (T port. Reduced Bore 5" & larger)



E-E dimension : KITZ Std.  
 End flanges : JIS B 2239

120°C W.O.G. .... 1.0MPa  
 150°C W.O.G. .... 0.4MPa

### Materials

Parts	JIS material
Body	FCD-5
Body cap	FCD-5
Ball	SCS13A / SUS304
Stem	SUS304
Ball seat	HYPATITE PTFE
Gland packing	PTFE

Gear operators may be optionally used for 6" and 8".

### Dimensions

Size	mm								
	mm inch	40 1 1/2	50 2	65 2 1/2	80 3	100 4	125 5	150 6	200 8
L	(STB)	180	200	240	260	330	—	—	—
	(STR)	—	—	—	—	—	340	400	450
L1	(STB)	90	100	120	130	165	—	170	200
	(STR)	—	—	—	—	—	—	200	225
H	(STB)	143	152	177	190	259	—	—	—
	(STR)	—	—	—	—	—	259	281	323
D	(STB)	400	400	460	460	1000	—	—	—
	(STR)	—	—	—	—	—	1000	1000	1500

NOTE : For flange dimensions, refer to Page 40. ※RF-flanged ends shall be optionally available.