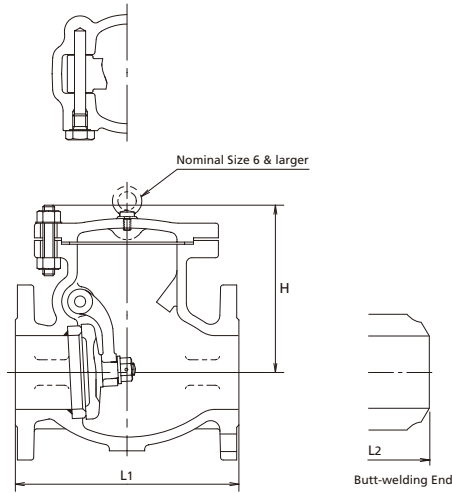


Cast Carbon Steel Check Valve

Bolted cover, Swing type disc.



150SCOS

Fig	End Connections
150SCOS	RF-flanged ends.
W150SCOS	Butt-welding ends.

Standard materials of parts

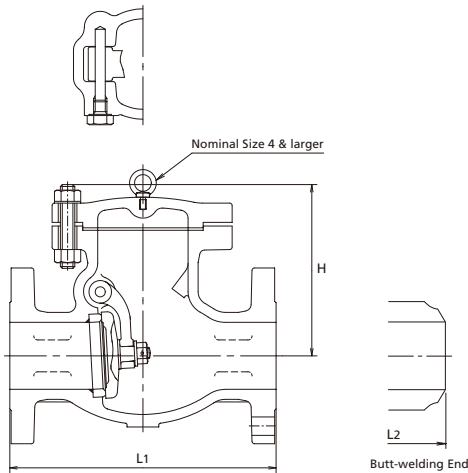
Parts	Materials
Body	ASTM A216 Gr.WCB
Cover	ASTM A105/A216 Gr.WCB
Disc	13Cr/Carbon Steel+13Cr
Disc nut	ASTM A194 Gr.8
Body seat ring	Carbon Steel+HF*
Cover bolt/nut	ASTM A193 Gr.B7/A194 Gr.2H
Arm	ASTM A216 Gr.WCB
Gasket	See Page 6
Plug	ASTM A576 Gr.1045

*Hard facing with Co-Cr-W Alloy.
 Note: Refer to Page 5&6 for standard seat material and construction.

Dimensions

Nominal Size	Nominal Size																		
	1/2 40	2 50	2 1/2 65	3 80	4 100	5 125	6 150	8 200	10 250	12 300	14 350	16 400	18 450	20 500	24 600	26 650	28 700	30 750	
L ₁	in	6.50	8.00	8.50	9.50	11.50	13.00	14.00	19.50	24.50	27.50	31.00	34.00	38.50	38.50	51.00	51.00	57.00	60.00
	mm	165	203	216	241	292	330	356	495	622	698	787	864	978	978	1295	1295	1448	1524
L ₂	in	—	8.00	8.50	9.50	11.50	13.00	14.00	19.50	24.50	27.50	31.00	34.00	38.50	38.50	51.00	51.00	57.00	60.00
	mm	—	203	216	241	292	330	356	495	622	698	787	864	978	978	1295	1295	1448	1524
H	in	5.2	6.1	6.6	7.3	8.3	9.4	9.8	11.5	13.4	14.8	16.3	17.9	20.0	23.0	26.4	26.8	28.2	29.9
	mm	132	156	168	185	210	239	250	293	340	375	415	455	508	585	670	740	810	871

Bolted cover, Swing type disc.



300SCOS

Fig	End Connections
300SCOS	RF-flanged ends.
W300SCOS	Butt-welding ends.

Standard materials of parts

Parts	Materials
Body	ASTM A216 Gr.WCB
Cover	ASTM A105/A216 Gr. WCB
Disc	13Cr/Carbon Steel+13Cr
Disc nut	ASTM A194 Gr.8
Body seat ring	Carbon Steel+HF*
Cover bolt/nut	ASTM A193 Gr.B7/A194 Gr.2H
Arm	ASTM A216 Gr.WCB
Gasket	See Page 6
Plug	ASTM A576 Gr.1045

*Hard facing with Co-Cr-W Alloy.
 Note: Refer to Page 5&6 for standard seat material and construction.

Dimensions

Nominal Size	Nominal Size																		
	1/2 40	2 50	2 1/2 65	3 80	4 100	5 125	6 150	8 200	10 250	12 300	14 350	16 400	18 450	20 500	24 600	28 700	30 750		
L ₁	in	9.50	10.50	11.50	12.50	14.00	15.75	17.50	21.00	24.50	28.00	33.00	34.00	38.50	40.00	53.00	59.00	62.75	
	mm	241	267	292	318	356	400	444	533	622	711	838	864	978	1016	1346	1499	1594	
L ₂	in	—	10.50	11.50	12.50	14.00	15.75	17.50	21.00	24.50	28.00	33.00	34.00	38.50	40.00	53.00	59.00	62.75	
	mm	—	267	292	318	356	400	444	533	622	711	838	864	978	1016	1346	1499	1594	
H	in	5.5	6.5	7.5	8.1	9.1	9.8	11.0	13.0	14.6	16.3	19.3	21.4	23.0	25.4	34.1	36.6	38.4	
	mm	155	164	190	205	230	250	280	330	370	415	491	543	584	645	865	930	975	