

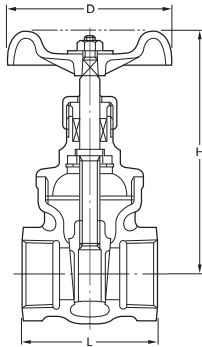
10K

GATE VALVE

Pressure-Temperature Rating: 1.0 MPa: 180°C

UEL

UELM



Parts	UEL	UELM
Body	SCS13A	SCS14A
Bonnet	SCS13A	SCS14A
Stem	SUS304	SUS316
Disc	SCS13A	SCS14A
Gland	SUS304	SUS316
Gland packing	Refer to Page 10	
Packing nut	SCS13A	
Handwheel	ZDC (15 & 20) / ADC12 (25 to 50)	
Name plate	A1050P	

Face to face dimensions: KITZ Std.  
End thread dimensions: JIS B0203  
Wall thickness: KITZ Std.

Nominal Size	Unit: mm					
	1/2	3/4	1	1 1/4	1 1/2	2
L	15	20	25	32	40	50
H	54	58	65	74	78	87
D	96	101	112	123	150	167
D	70	70	80	80	100	100

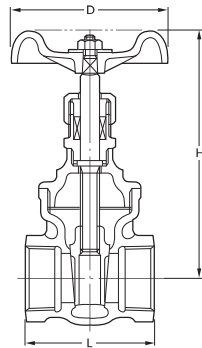
10K

GATE VALVE

Pressure-Temperature Rating: 1.0 MPa: 180°C

UE

UEM



Parts	UE	UEM
Body	SCS13A	SCS14A
Bonnet	SCS13A	SCS14A
Stem	SUS304	SUS316
Disc	SCS13A	SCS14A
Gland	SUS304	SUS316
Gland packing	Refer to Page 10	
Packing nut	SCS13A (65 & 80) / SUS304 (100)	
Handwheel	ADC12 (65 & 80) / FCD400 (100)	
Name plate	A1050P	

Face to face dimensions: JIS B2011  
End thread dimensions: JIS B0203  
Wall thickness: KITZ Std.

Nominal Size	Unit: mm		
	2 1/2	3	4
L	65	80	100
H	115	130	155
D	248	275	315
D	135	155	200

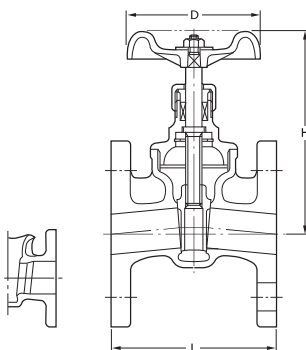
10K

GATE VALVE

Pressure-Temperature Rating: 1.0 MPa: 180°C

UEB

UEBM



65 and larger

50 and smaller



Parts	UEB	UEBM
Body	SCS13A	SCS14A
Bonnet	SCS13A	SCS14A
Stem	SUS304	SUS316
Disc	SCS13A	SCS14A
Gland	SUS304	SUS316
Gland packing	Refer to Page 10	
Packing nut	SCS13A/SUS304	
Handwheel	ZDC (15 & 20) / ADC12 (25 to 80)	
Snap ring	SUS316	
Name plate	A1050P	

Face to face dimensions: JIS B2011\*  
End flange dimensions: JIS B2220\*\*  
Wall thickness: KITZ Std.

\*KITZ standard for Size 1/2 and 3/4  
\*\*Except flange thickness

Nominal Size	Unit: mm							
	1/2*	3/4*	1	1 1/4	1 1/2	2	2 1/2	3
L	15	20	25	32	40	50	65	80
H	85	95	100	110	125	140	170	190
D	99	105	116	128	170	188	248	275
D	70	70	80	80	100	100	135	155

\*UEB only