

주철 10K 플랜지형 스윙체크 밸브 CAST IRON 10K FLANGE SWING CHECK VALVE

Main parts and materials

Parts name	Material
Body	Grey iron
Seat	Copper
Disc	Grey iron

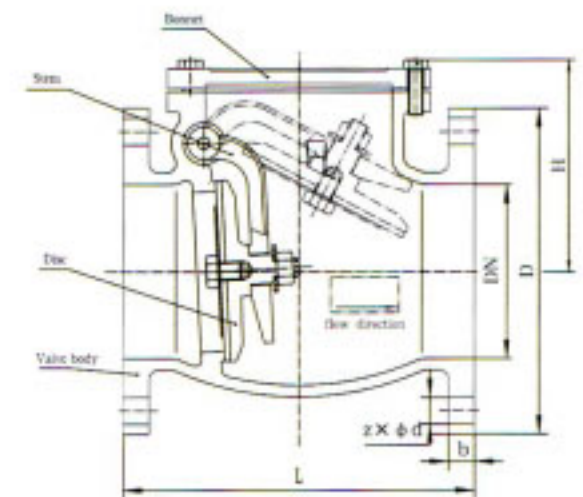
Specification

Applicable Fluid	Water	
Working Pressure	Less than 10kgf/cm ² (Max.1.0MPa)	
Applicable Temperature	Less than 60℃	
Connection Method	10K FF Flange	
Hydraulic Test	Body	20kgf/cm ² (2.0MPa)
	Seat	16kgf/cm ² (1.6MPa)



Outline and connecting measurement

Size	L	D	b	z × φ d	H
40	190	140	17	4 × φ 19	101
50	190	155	17	4 × φ 19	102
65	190	175	18	4 × φ 19	113
80	215	185	19	8 × φ 19	118
100	245	210	20	8 × φ 19	133
125	285	250	21	8 × φ 23	155
150	295	280	22	8 × φ 23	182
200	390	330	22	12 × φ 23	206
250	500	400	25	12 × φ 25	269
300	540	445	28	16 × φ 25	333
350	570	490	34	16 × φ 25	381
400	785	560	36	16 × φ 27	450
500	820	675	40	20 × φ 27	537



*The above specifications to be varied to suit your specific requirements.