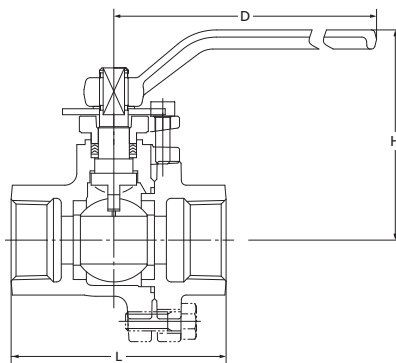


20K Ball Valve Reduced Bore

20ST
20STL (Gas service)



E-E dimension : KITZ Std.
End threads : JIS B 0203

Maximum Service Pressure

Code	Temperature	Pressure
20ST	110°C W.O.G.	2.8MPa
	140°C W.O.G.	2.0MPa
20STL	80°C gas.	2.4MPa

● Use for lubricating or hydraulic oil is acceptable.

Materials

Parts	JIS material
Body	FCD-S
Body cap	FCD-S
Stem	SUS403
Ball	SUS304 / SCS13A
Gland	FCD-S
Gland packing	PTFE
Gasket	PTFE
Ball seat	HYPATITE PTFE
O ring *	NBR
Gland bolt	Alloy Steel
Cap bolt	Carbon Steel
Handle	FCD400-15
Name plate *	SUS304

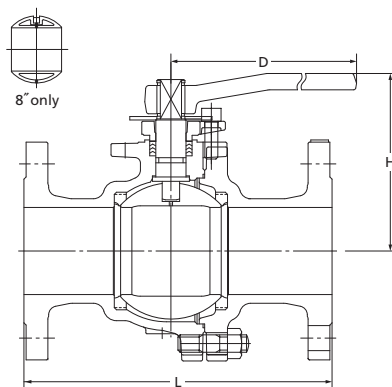
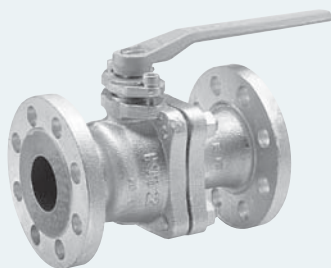
* for 20STL only

Dimensions

Size	mm						
	mm	15	20	25	32	40	50
	inch	1/2	3/4	1	1 1/4	1 1/2	2
L		75	80	90	105	115	130
H		106	106	107	129	133	114
D		130	130	130	160	160	230

20K Ball Valve for Gas Service Full Bore

20STLB
RF-flanged



F-F dimension : ASME B16.10
End flanges : JIS B 2239 20K

80°C Gas 2.4MPa

Materials

Parts	JIS material
Body	FCD-S
Body cap	FCD-S
Stem	SUS403
Ball	SUS304 / SCS13A
Gland	FCD-S
Gland packing	PTFE
Gasket	PTFE
Ball seat	HYPHTITE PITFE
O-ring	NBR
Cap bolt/nut	Carbon Steel
Stopper	SUS430
Snap ring	SK5
Handle	FCD400-15

Dimensions

Size	mm											
	mm	15	20	25	32	40	50	65	80	100	150	200
	inch	1/2	3/4	1	1 1/4	1 1/2	2	2 1/2	3	4	6	8
L		140	152	165	178	190	216	241	283	305	403	502
H (open)		106	109	130	135	115	120	153	162	241	293	352
D		130	130	160	160	230	230	400	400	750	1000	1500

NOTE : For flange dimensions, refer to Page 40.