

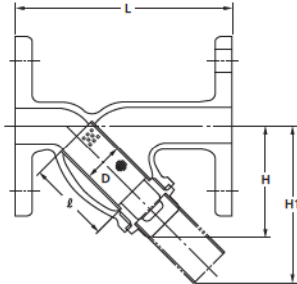
10K

Y-PATTERN STRAINER

Pressure-Temperature Rating: 1.0 MPa: 180°C

UYB

UYBM



Parts	UYB	UYBM
Body	SCS13A	SCS14A
Cover	SCS13A/SUS304	SCS14A/SUS316
Gasket	Reinforced PTFE	
Screen	SUS304	SUS316

Face to face dimensions: KITZ Std. *Except flange thickness
 End flange dimensions: JIS B2220*
 Wall thickness: KITZ Std.

Nominal Size	Unit: mm						
	3/8	1/2	3/4	1	1 1/4	1 1/2	2
L	110	120	130	150	170	190	220
H	50	58	66	78	93	104	122
H1	67	80	91	109	132	145	174
D	15	18	23	30	39	46	58
l	36	43	48	58	69	75	90

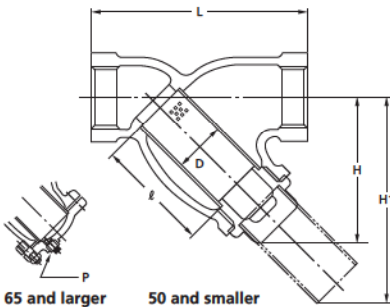
20K

Y-PATTERN STRAINER

Pressure-Temperature Rating: 2.0 MPa: 180°C

UY

UYM



Parts	UY	UYM
Body	SCS13A	SCS14A
Cover	SUS304/SCS13A	SUS316/SCS14A
Gasket	Reinforced PTFE	
Screen	SUS304	SUS316
Cover bolt/nut*	SUS304/304	
Plug*	SUS304	SUS316

*For size 65 and larger
 Note: Screen is a 40-mesh stainless wire net reinforced with SUS304/316.

Face to face dimensions: KITZ Std.
 End thread dimensions: JIS B0203
 Wall thickness: KITZ Std.

Nominal Size	Unit: mm									
	1/4	3/8	1/2	3/4	1	1 1/4	1 1/2	2	2 1/2	3
L	65	70	85	100	115	135	150	180	220	250
H	50	50	60	65	77	90	100	115	150	193
H1	67	68	80	90	107	128	140	165	215	267
D	15	15	18	23	30	39	46	58	72	86
l	36	36	43	48	58	69	75	90	120	150
P	—	—	—	—	—	—	—	—	Rc1/2	Rc1/2