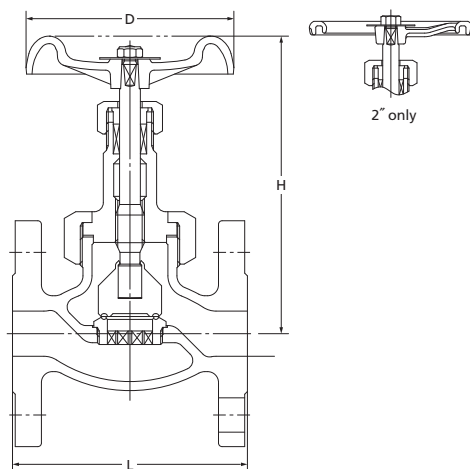


20K Globe Valve

20SYB
U.B.I.S.
RF-flanged



F-F dimension : JIS B 2002 JV 4-4 *
End flanges : JIS B 2239 20K
*KITZ Std. for 3/8"

120°C Static water..... 2.8MPa
220°C Steam, air, gas, oil..... 2.5MPa
300°C Steam, air, gas, oil..... 2.3MPa
350°C Steam, air, gas, oil..... 2.0MPa

- Use for lubricating or hydraulic oil is acceptable. Contact KITZ Corporation for technical advice, if valves are used as heat transfer media.
- Employment of copper gasket prohibits use of this valve for ammonia or amine chemicals.

Materials

Parts	JIS material
Body	FCD-5
Bonnet	FCD-5
Stem	SUS420J2
Disc	SUS403 + HF *
Body seat ring	SCS13A + HF *
Gland	SUS403 (3/8" & 1/2" : SUS420J2)
Gland packing	Non-asbestos Packing
Packing nut	FCD-5
Handwheel	FCD450-10 (2" : FCD400-15)
Wheel nut	SS400
Gasket	C1100P-0
Name plate	A1050P

* Hard-faced with Co-Cr-W alloy

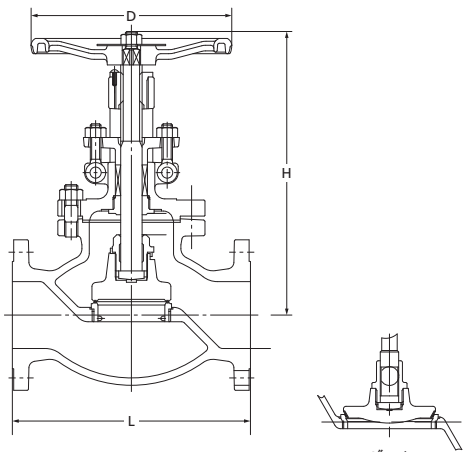
Dimensions

Size	mm							
	mm	10	15	20	25	32	40	50
	inch	3/8	1/2	3/4	1	1 1/4	1 1/2	2
L		110	110	120	130	160	180	230
H (open)		136	138	157	178	202	210	239
D		70	80	100	115	135	135	180

NOTE : For flange dimensions, refer to Page 40.

20K Globe Valve

20SYBO
B.B.O.S.Y.
RF-flanged



F-F dimension : JIS B 2002
End flanges : JIS B 2239 20K

120°C Static water..... 2.8MPa
220°C Steam, air, gas, oil..... 2.5MPa
300°C Steam, air, gas, oil..... 2.3MPa
350°C Steam, air, gas, oil..... 2.0MPa

- Use for lubricating or hydraulic oil is acceptable. Contact KITZ Corporation for technical advice, if valves are used as heat transfer media.

Materials

Parts	JIS material
Body	FCD-5
Bonnet	FCD-5
Stem	SUS403
Disc	SFVC2A + HF *
Lock nut	FCD-5 (8" : SUS403)
Body seat ring	SFVC2A + HF * (8" : SUS403 + HF *)
Gland	FCD-5
Gland packing	Non-asbestos Packing
Handwheel	FCD400
Wheel nut	SS400
Bonnet bolt/nut	S45C
Gland bolt/nut	Carbon Steel
Yoke bush	C6782BE
Gasket	Non-asbestos Sheet
Name plate	A1050P

* Hard-faced with Co-Cr-W alloy

Dimensions

Size	mm							
	mm	50	65	80	100	125	150	200
	inch	2	2 1/2	3	4	5	6	8
L		267	292	318	356	400	444	559
H (open)		243	347	382	457	534	593	697
D		225	250	250	300	350	400	560

NOTE : For flange dimensions, refer to Page 40.