

**KITZ Fig: EXH200-10UTB**

Sizes: 2 1/2-inch(65-mm)

Standards

- . End to End:
- . End Connection:
- . Wall Thickness:
- Test Standard

**Dimensions**

SIZE(inch/mm)	L	L1	H	D1	Kg
2 1/2	65				
3	80				
4	100	230.0	110.0	441.5	
5	125	300.0	150.0	551.0	
6	150	340.0	170.0	576.0	
8	200				
10	250	533.0	266.5	771.0	

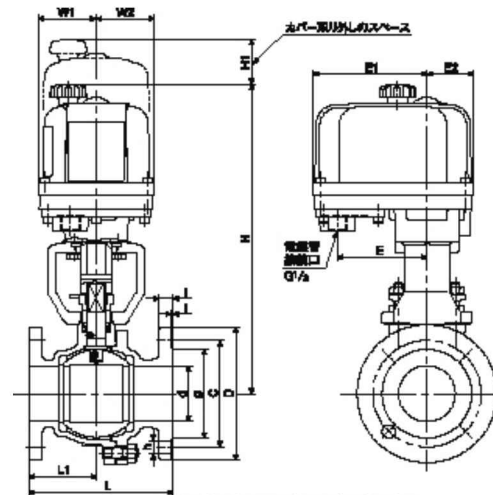


**Material List**

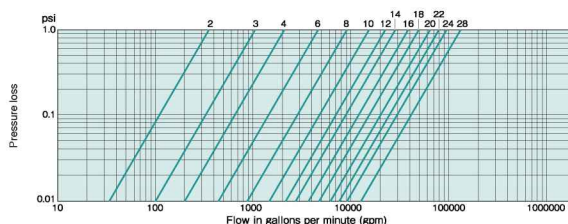
NAME OF PART	MATERIAL	SPECIFICATION
BODY	STAINLESS STEEL	A351 Gr. CF8/SCS13A
BODY CAP	STAINLESS STEEL	A351 Gr. CF8/SCS13A
STEM	STAINLESS STEEL	304SS
BALL	STAINLESS STEEL	304SS

**Specifications**

Sizes : 2 1/2-inch(65-mm), BODYMATERIAL :STAINLESS STEEL, BODY CAPMATERIAL :STAINLESS STEEL, STEMMATERIAL :STAINLESS STEEL, BALLMATERIAL :STAINLESS STEEL, KITZ Fig : EXH200-10UTB

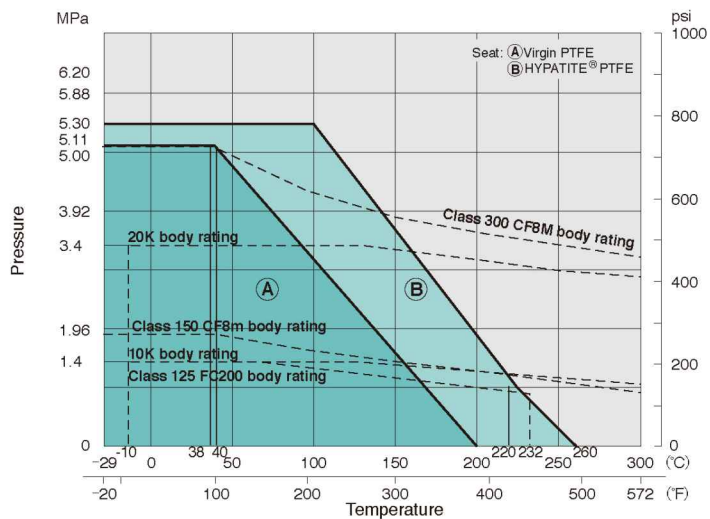


For more details, please refer to the drawing.



Pressure-temperature ratings and other performance data published in this catalog have been developed from our design calculation, in-house testing, field reports provided by our customers and/or published official standards or specifications. They are good only to cover typical applications as a general guideline to users of KITZ products introduced in this catalog. For any specific application, users are kindly requested to contact KITZ Corporation for technical advice, or to carry out their own study and evaluation for proving suitability of these products to such an application. Failure to follow this request could result in property damage and/or personal injury, for which we shall not be liable. Read instruction manual carefully before use.





Pressure-temperature ratings and other performance data published in this catalog have been developed from our design calculation, in-house testing, field reports provided by our customers and/or published official standards or specifications. They are good only to cover typical applications as a general guideline to users of KITZ products introduced in this catalog. For any specific application, users are kindly requested to contact KITZ Corporation for technical advice, or to carry out their own study and evaluation for proving suitability of these products to such an application. Failure to follow this request could result in property damage and/or personal injury, for which we shall not be liable. Read instruction manual carefully before use.



KITZ CORPORATION 1-10-1 Nakase, Mihama-ku, Chiba 261-8577, Japan  
© KITZ Corporation. All Right Reserved.

