

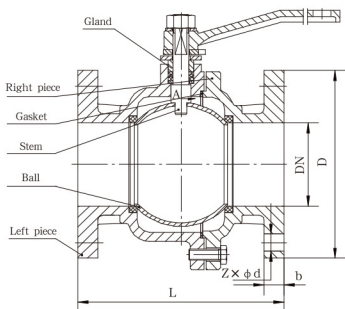
Main parts and materials / Specification

Body, Bonnet	Grey iron
Filter	Stainless steel
Applicable Fluid	Water, Steam
Working Pressure	Less than 10kgf/cm ² (Max.1.0Mpa)
Applicable Temperature	Less than 220°C
Connection Method	10K FF Flange
Hydraulic Test	15kgf/cm ² (1.5Mpa)

Outline and connecting measurement

Size	40	50	65	80	100	125	150	200	250	300	350	400	500
L	195	195	205	252	277	307	335	475	660	750	810	905	1100
D	140	155	175	185	210	250	280	330	400	445	490	560	675
b	17	17	18	19	20	21	21	22	30	32	34	36	40
H	97	98	117	160	187	207	247	325	514	605	646	723	900

*본 제품의 규격 및 사양은 성능 개선을 위해 예고없이 변경될 수 있습니다.



Main parts and materials / Specification

Body	Grey iron	
Ball	Stainless steel	
Stem	Stainless steel	
Gland	PTFE	
Applicable Fluid	Water	
Working Pressure	Less than 10kgf/cm ² (Max.1.0Mpa)	
Applicable Temperature	Less than 200°C	
Connection Method	10K FF Flange	
Hydraulic Test	Body	15kgf/cm ² (1.5Mpa)
	Seat	11kgf/cm ² (1.1Mpa)

Outline and connecting measurement

Size	40	50	65	80	100	125	150	200
L	165	180	190	200	230	265	277	340
D	140	155	175	185	210	250	280	330
b	19	20	20	21	22	22	23	26
H	134	139	153	162	172	221	233	265
D0	271	271	271	271	271	310	310	313

*본 제품의 규격 및 사양은 성능 개선을 위해 예고없이 변경될 수 있습니다.