

# SY-5

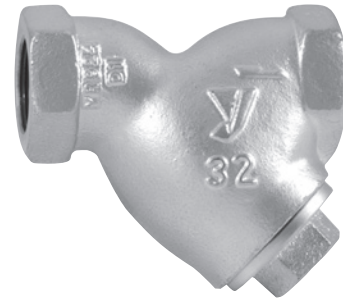


|                 |           |                |           |
|-----------------|-----------|----------------|-----------|
| Y type          | Basket    | Duplex         | Temporary |
| Stainless steel | Nylon     | Carbon steel   | Easy plug |
| Pipe end core   | One-touch | With fine mesh | Davit     |

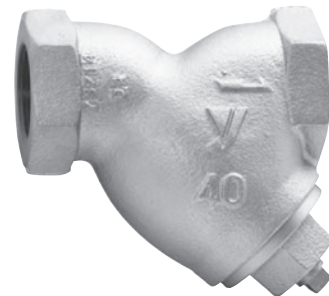
4  
Strainer

## ■Features

1. Versatile, compact, lightweight and economical.
2. High-flow-rate marine type with the largest possible filtration area in view of decrease in flow rate caused by clogging.



10A-32A



40A-50A

## ■Specifications

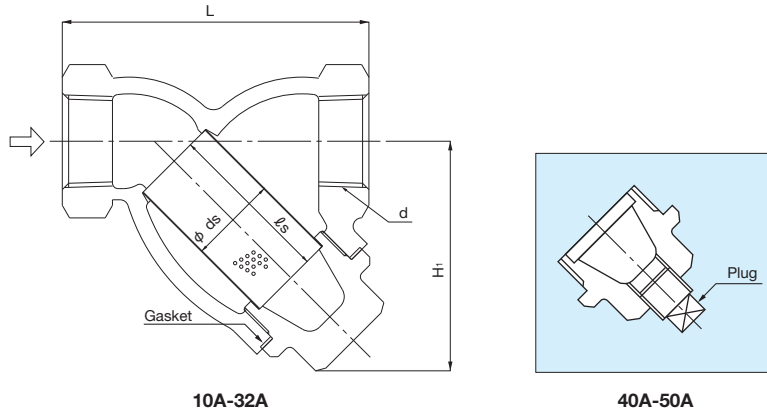
|                     |  |                                       |
|---------------------|--|---------------------------------------|
| Application         | Steam, Air, Cold and hot water, Other non-dangerous fluids |                                       |
| Maximum pressure    | 2.0 MPa  |                                       |
| Maximum temperature | 220°C  |                                       |
| Material            | Body   | Ductile cast iron                     |
|                     | Screen   | Stainless steel                       |
| Screen              | Perforation  | $\phi$ 2.5-7.21 holes/cm <sup>2</sup> |
|                     | Mesh   | Standard 80 mesh                      |
| Connection          | JIS Rc screwed   |                                       |

- Available with 20 to 100 mesh screen (perforation:  $\phi$  2.5-7.21 holes/cm<sup>2</sup>) or only with perforation ( $\phi$  1.2-23.8 holes/cm<sup>2</sup>) on request.
- Available with 10A to 32A attached with a plug (material: S15C).
- Available with a brass plug.

## ■Dimensions (mm) and Weights (kg)

| Nominal size | d        | L   | H <sub>1</sub> | ds | ℓs | Plug    | Weight |
|--------------|----------|-----|----------------|----|----|---------|--------|
| 10A          | Rc 3/8   | 65  | 50             | 18 | 32 | (R 1/4) | 0.4    |
| 15A          | Rc 1/2   | 75  | 55             | 20 | 35 | (R 1/4) | 0.6    |
| 20A          | Rc 3/4   | 90  | 70             | 25 | 50 | (R 3/8) | 0.9    |
| 25A          | Rc 1     | 110 | 85             | 32 | 60 | (R 3/8) | 1.4    |
| 32A          | Rc 1-1/4 | 135 | 95             | 40 | 70 | (R 3/8) | 2.2    |
| 40A          | Rc 1-1/2 | 145 | 105            | 45 | 75 | R 3/8   | 3.4    |
| 50A          | Rc 2     | 170 | 120            | 56 | 90 | R 3/8   | 4.5    |

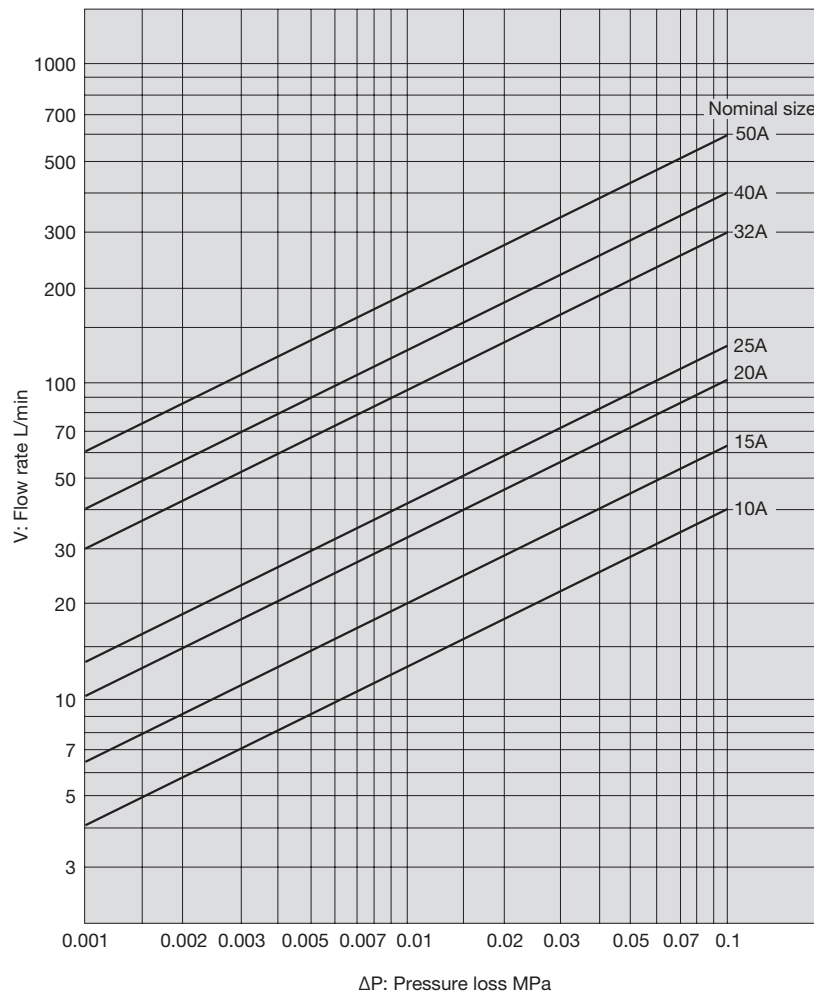
\* Please do not use other than Yoshitake product.



**4**  
**Strainer**

**■ Pressure Loss Chart (For Water)**

· Screen: Perforation =  $\phi 2.5$ -7.21 holes/cm<sup>2</sup>, Mesh = 80 mesh



Please refer to P.4-12 for the information about how to look the chart, and calculating example.