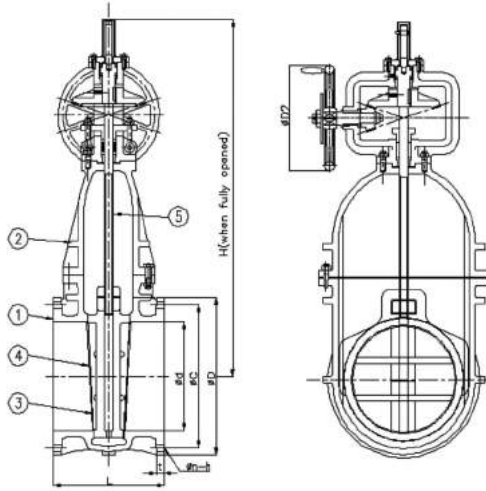


# SERIES F 7360 JIS 10K Cast Steel Hull Gate Valve - Worm Gear Type

Manufactured in accordance to JIS F 7400 / Flanges as per JIS B 2210 - 10K



SERIES F 7360 (Size 550~800A) Ball Bearing Gate Valve

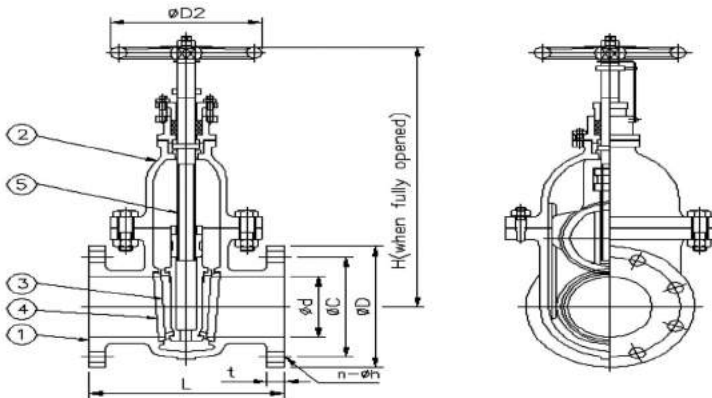
Part No.	Material	
	Class S	Class B
1 - Body	Cast Steel	
2 - Bonnet	Cast Steel	
3 - Disc	Stainless Steel / Bronze	
4 - Seat	Stainless Steel / Bronze	
5 - Stem	Stainless Steel / Brass	

Test Pressure MPa[Kgf/cm <sup>2</sup> ]	
Body	0.5 [5]
Seat	0.25 [2.5]

SIZE	d	L	D	C	n-h	t	H	D2	Kg
550	530	550	745	680	20-33	32	1550	500	930
600	580	600	795	730	24-33	32	1650	500	1120
650	630	650	845	780	24-33	34	1750	560	1330
700	680	700	905	840	24-33	34	1850	560	1590
750	730	750	970	900	24-33	36	1950	630	1950
800	780	800	1020	950	28-33	36	2050	630	2260

# SERIES F 7363 JIS 5K Cast Iron & Cast Steel Gate Valve

Manufactured in accordance to JIS F 7400 / Flanges as per JIS B 2210 - 5K



SERIES F 7363 (Size 50~400A) Gate Valve

Part No.	Material	
	Class S	Class B
1 - Body	Cast Iron / Cast Steel	
2 - Bonnet	Cast Iron / Cast Steel	
3 - Disc	Stainless Steel / Bronze	
4 - Seat	Stainless Steel / Bronze	
5 - Stem	Stainless Steel / Bronze	

Test Pressure MPa[Kgf/cm <sup>2</sup> ]		
SIZE	Body	Seat
400 or less	1.05 [10.5]	0.77 [7.7]

SIZE	d	L	D	C	n-h	t		H	D2	Kg
						FC	SC			
050	50	180	130	105	4-15	16	14	285	125	13.5
065	65	190	155	130	4-15	18	14	330	140	19.0
080	80	200	180	145	4-19	18	14	380	160	24.2
100	100	230	200	165	8-19	20	16	430	180	35.3
125	125	250	235	200	8-19	20	16	495	200	48.1
150	150	270	265	230	8-19	22	18	560	224	65.3
200	200	290	320	280	8-23	24	20	680	280	103
250	250	330	385	345	12-23	26	22	800	355	164
300	300	370	430	390	12-23	28	22	920	400	236
350	335	410	480	435	12-25	30	24	1000	450	307
400	380	470	540	495	16-25	30	24	1100	500	405