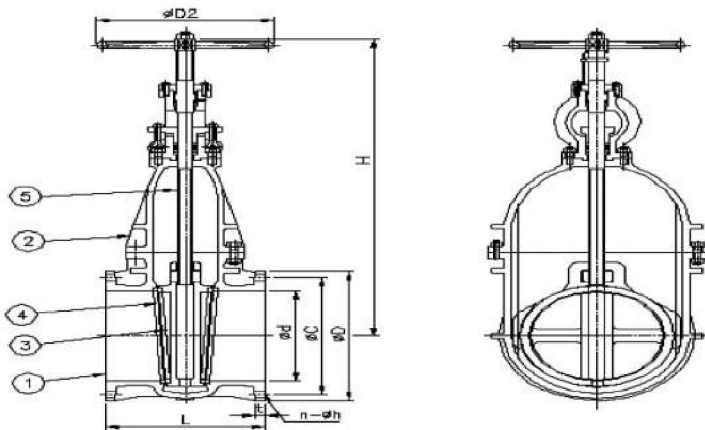


## SERIES F 7363 JIS 5K Cast Iron & Cast Steel Gate Valve

Manufactured in accordance to JIS F 7400 / Flanges as per JIS B 2210 - 5K



SERIES F 7363 (Size 450~600A) Gate Valve

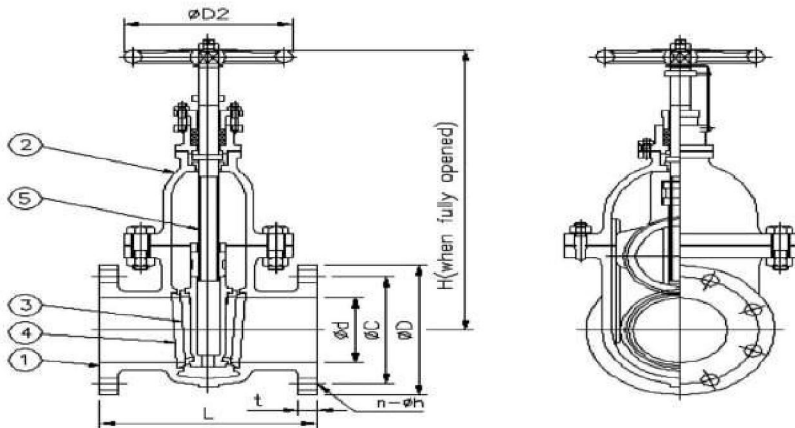
Part No.	Material	
	Class S	Class B
1 - Body	Cast Iron / Cast Steel	
2 - Bonnet	Cast Iron / Cast Steel	
3 - Disc	Stainless Steel / Bronze	
4 - Seat	Stainless Steel / Bronze	
5 - Stem	Stainless Steel / Brass	

Test Pressure MPa[Kgf/cm <sup>2</sup> ]		
SIZE	Body	Seat
450 or less	0.75 [7.5]	0.55 [5.5]

SIZE	d	L	D	C	n-h	t		H	D2	Kg
						FC	SC			
450	430	500	605	555	16-25	30	24	1420	560	556
500	480	550	655	605	20-25	32	24	1500	560	700
550	530	600	720	665	20-27	32	26	1650	630	878
600	580	660	770	715	20-27	32	26	1680	710	1120

## SERIES F 7364 JIS 10K Cast Iron Gate Valve

Manufactured in accordance to JIS F 7400 / Flanges as per JIS B 2210 - 10K



SERIES F 7364 (Size 50A~400A) Gate Valve

SERIES F 7364 (Size 450A~600A) Gate Valve

Part No.	Material	
	Class S	Class B
1 - Body	Cast Iron	
2 - Bonnet	Cast Iron	
3 - Disc	Stainless Steel / Bronze	
4 - Seat	Stainless Steel / Bronze	
5 - Stem	Stainless Steel / Brass	

Test Pressure MPa[Kgf/cm <sup>2</sup> ]		
SIZE	Body	Seat
400 or less	2.1 [21.0]	1.54 [15.4]
450 or more	1.8 [18.0]	1.32 [13.2]

SIZE	d	L	D	C	n-h	t	H	D2	Kg
050	50	200	155	120	4-19	20	300	140	19.4
065	65	220	175	140	4-19	22	350	160	27.6
080	80	230	185	150	8-19	22	400	180	33.0
100	100	250	210	175	8-19	24	450	200	45.8
125	125	270	250	210	8-23	24	520	224	65.9
150	150	290	280	240	8-23	26	580	250	86.0
200	200	320	330	290	12-23	26	700	315	136
250	250	380	400	355	12-25	30	840	400	230
300	300	440	445	400	16-25	32	960	450	331
350	335	500	490	445	16-25	34	1050	500	433
400	380	590	560	510	16-27	36	1150	560	597
450	430	640	620	565	20-27	38	1208	560	704
500	480	710	675	620	20-27	40	1320	560	901
550	530	780	745	680	20-33	42	1320	630	1192
600	580	850	795	730	24-33	44	1680	710	1490