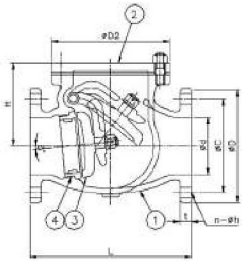
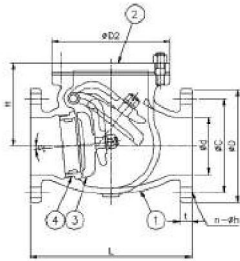


# SERIES F 7372 - JIS 5K / SERIES F 7373 - JIS 10K Cast Iron Swing Check Valve

Manufactured in accordance to JIS F 7400 / Flanges as per JIS B 2240 - 5K, 10K



SERIES F 7372 5K Swing Check Valve3



SERIES F 7373 10K Swing Check Valve

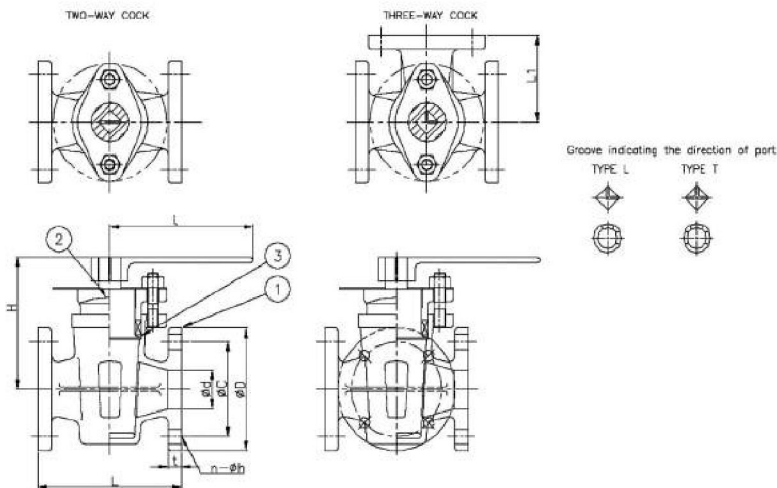
Part No.	Material
1 - Body	Cast Iron
2 - Bonnet	Cast Iron
3 - Disc	Bronze
4 - Seat	Bronze

Test Pressure MPa[Kgf/cm <sup>2</sup> ]		
SIZE	5K	10K
Body	1.05 [10.5]	2.1 [21.0]
Seat	0.77 [7.7]	1.54 [15.4]

Size	d	L	C	D	n-h	t	H	D2	Kg	
F7372 -5K	050	50	190	105	130	4-15	16	97	135	9.06
	065	65	220	130	155	4-15	18	119	155	13.9
	080	80	250	145	180	4-19	18	129	185	19.1
	100	100	280	165	200	8-19	20	146	205	27.1
	125	125	330	200	235	8-19	20	171	235	39.0
	150	150	380	230	265	8-19	22	198	265	53.7
	200	200	460	280	320	8-23	24	235	330	94.4
	250	250	550	345	385	12-23	26	290	390	150
F7373 -10K	050	50	210	120	155	4-19	20	109	150	13.6
	065	65	240	140	175	4-19	22	126	170	19.6
	080	80	270	150	185	8-19	22	136	185	22.6100
	100	100	300	175	210	8-19	24	153	205	30.9
	125	125	350	210	250	8-23	24	180	250	49.2
	150	150	400	240	280	8-23	26	205	275	64.9
	200	200	480	290	330	12-23	26	242	330	103
	250	250	550	355	400	12-25	30	290	390	-
300	300	700	400	445	16-25	32	290	470	-	
350	335	787	445	490	16-25	34	-	-	-	

# SERIES F 7381 - JIS 5K Bronze Cock Valve - 2Way & 3Way

Manufactured in accordance to JIS F 7400 / Flanges as per JIS B 2240 - 5K



SERIES F 7381 Cock Valve

Part No.	Material
1 - Body	Bronze
2 - Plug	Bronze
3 - Seat Ring	Bronze

Test Pressure MPa[Kgf/cm <sup>2</sup> ]	
Body	0.75 [7.5]
plug	0.55 [5.5]

SIZE	d	L	L1	C	D	n-h	t	H	l	2Way Kg	3Way	kg
025	25	130	65	75	95	4-12	10	105	160	160	3.13	3.81
032	32	160	80	90	115	4-15	12	125	180	180	5.02	6.31
040	40	170	85	95	120	4-15	12	135	190	190	6.66	7.93
050	50	190	95	105	130	4-15	14	163	200	200	10	11.8
065	65	220	110	130	155	4-15	14	201	250	250	16.7	19