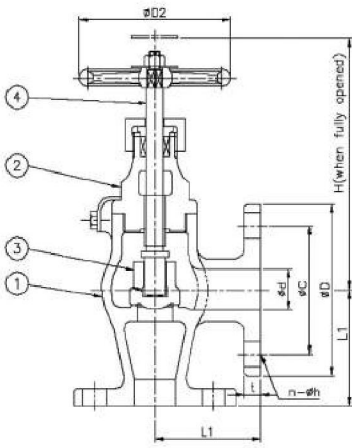
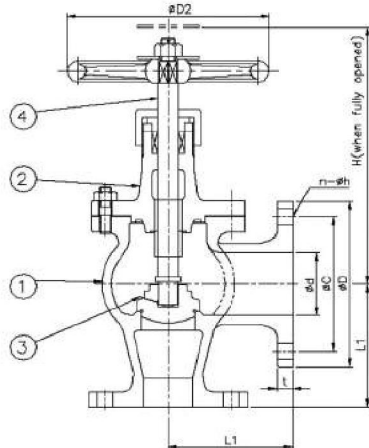


SERIES F 7352 - JIS 5K Bronze Angle Check Valve

Manufactured in accordance to JIS F 7400 / Flanges as per JIS B 2240 - 5K



SERIES F 7301 DIA 15A~40A Angle Check Valve



DIA 50A~65A Angle Check Valve

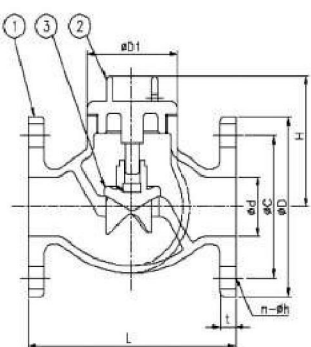
Part No.	Material
1 - Body	Bronze
2 - Bonnet	Bronze
3 - Disc	Bronze
4 - Stem	Brass

Test Pressure MPa[Kgf/cm ²]	
Body	1.05 [10.5]
Seat	0.77 [7.7]

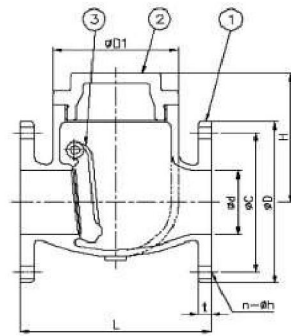
SIZE	d	L1	C	D	n-h	t	H	D2	Kg
015	15	55	60	80	4-12	9	120	80	1.92
020	20	60	65	85	4-12	10	125	100	2.64
025	25	65	75	95	4-12	10	140	125	3.30
032	32	80	90	115	4-15	12	145	125	4.63
040	40	85	95	120	4-15	12	160	140	5.81
050	50	100	105	130	4-15	14	200	140	10.1
065	65	115	130	155	4-15	14	220	160	15.6

SERIES F 7356 - JIS 5K Bronze Lift Check Valve / SERIES F 7371 - JIS 5K Bronze Swing Check Valve

Manufactured in accordance to JIS F 7400 / Flanges as per JIS B 2240 - 5K



SERIES F 7356 Lift Check Valve



SERIES F 7371 Swing Check Valve

Part No.	Material
1 - Body	Bronze
2 - Bonnet	Bronze
3 - Disc	Bronze

Test Pressure MPa[Kgf/cm ²]	
Body	1.05 [10.5]
Seat	0.77 [7.7]

Type	Size	d	L	C	D	n-h	t	H	D1	Kg
Lift Check	010	15	100	55	75	4-12	9	61	45	2.02
	015	15	100	60	80	4-12	9	61	45	2.02
	020	20	110	65	85	4-12	10	72	52	2.39
	025	25	120	75	95	4-12	10	77	52	2.39
	032	32	140	90	115	4-15	12	81	65	3.80
	040	40	160	95	120	4-15	12	91	70	4.95
Swing Check	015	25	110	60	80	4-12	10	69	58	2.24
	020	25	110	65	85	4-12	10	69	58	2.24
	025	25	110	75	95	4-12	10	69	58	2.24
	032	32	130	90	115	4-15	12	79	66	3.07
	040	40	140	95	120	4-15	12	93	75	4.34