

SF-1S, SF-1F

Plain	Flap	Ball	Spinner
Stainless	Mica plate	Protective wire mesh	With protective cover

■Features

1. Variation in flow rate can be checked easily with flap and scale plates.
2. Can be connected to horizontal/vertical piping.
3. Mica plate is used for this type of sight glass for steam condensate.

■Specifications

Model	SF-1S	SF-1F
Application	Cold and hot water, Oil, Other non-dangerous fluids	
Maximum working pressure	1.0 MPa	
Max. temperature	150°C	
Max. thermal shock	100°C	
Material	Body	Ductile cast iron
	Glass	Hardened glass
	Flap	Stainless steel
Connection	JIS Rc screwed	JIS 10K FF flanged

- Available with mica plate for steam condensate (SFM-1S · 1F). However, maximum allowable working pressure is 0.6 MPa.
- Glass part is consumable supply.

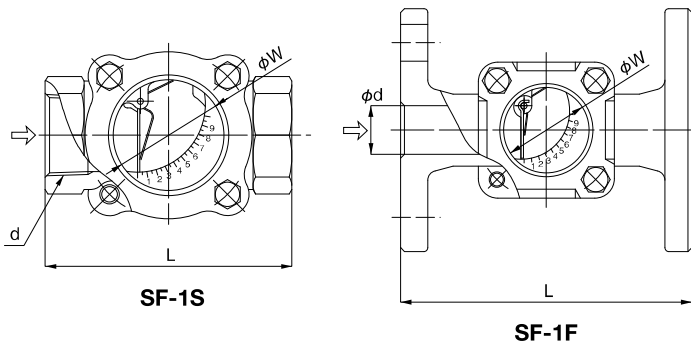
■Dimensions (mm) and Weights (kg)

· SF-1S

Nominal size	d	L	W	Weight
15A	Rc 1/2	80	35	0.7
20A	Rc 3/4	90	35	0.8
25A	Rc 1	115	44	1.4
32A	Rc 1-1/4	127	57	2.5
40A	Rc 1-1/2	140	57	2.8
50A	Rc 2	162	73	5.4

· SF-1F

Nominal size	d	L	W	Weight
15A	15	130	35	2.2
20A	20	130	35	2.6
25A	25	150	44	4.1
32A	32	160	57	5.9
40A	40	170	57	6.2
50A	50	200	73	9.5



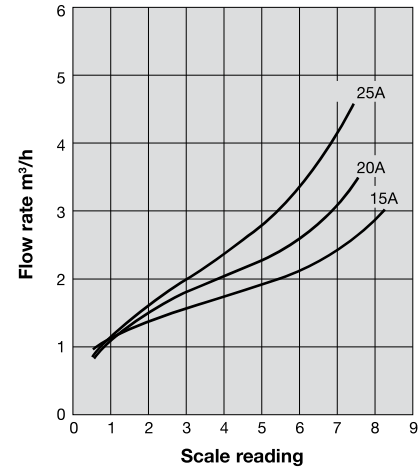
SF-1S



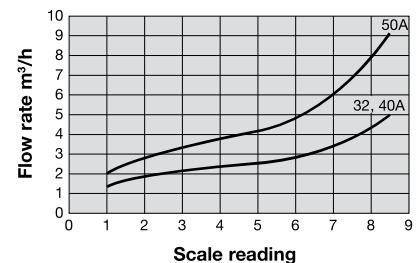
SF-1F

■Flow Rate Characteristics Chart (For Water, Horizontal Piping)

· 15A-25A



· 32A-50A



- The flow characteristics shown in the charts above are just for reference and cannot be used for actual measurement.