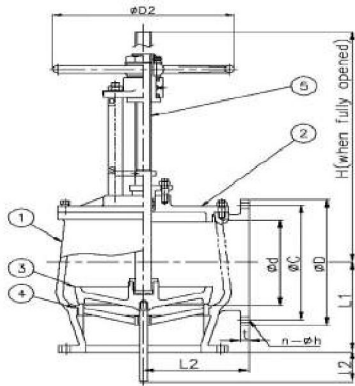


## SERIES F 7350 JIS 10K Cast Steel Hull Angle Valve (350A ~ 800A)

Manufactured in accordance to JIS F 7400 / Flanges as per JIS B 2210 - 10K



SERIES F 7350 350A~800A Hull Angle Valve

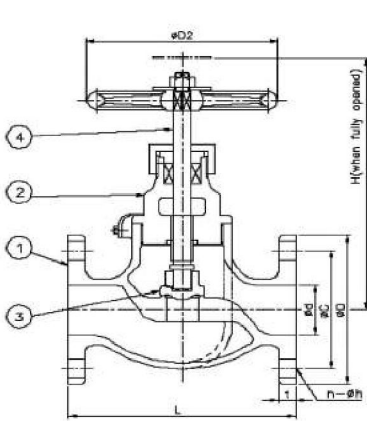
Part No.	Material	
	Class S	Class B
1 - Body	Cast Steel	
2 - Bonnet	Cast Steel	
3 - Disc	Stainless Steel , Cast Bronze	
4 - Seat	Stainless Steel , Cast Bronze	
5 - Stem	Stainless Steel , Brass	

Test Pressure MPa[Kgf/cm2]	
Body	0.5 [5]
Seat	0.25 [2,5]

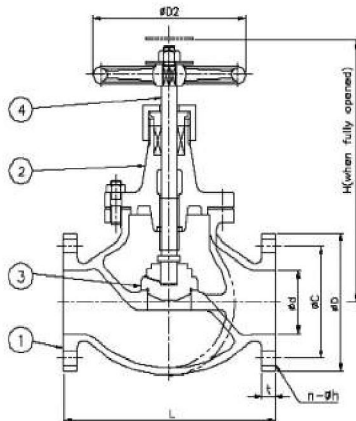
SIZE	d	L1	L2	D	C	n-h	t	l2	H	D2	Kg
350	335	360	320	490	445	16-25	26	166	1010	500	376,0
400	380	400	350	560	510	16-27	28	195	1130	600	490,0
450	430	450	380	620	565	20-27	30	218	1250	710	632,0
500	480	500	430	675	620	20-27	30	242	1380	800	839,0
550	530	550	460	745	680	20-33	32	269	1505	900	1060
600	580	610	500	795	730	24-33	32	288	1630	900	1270
650	630	660	540	845	780	24-33	34	312	1765	1000	1590
700	680	710	570	905	840	24-33	34	334	1890	1000	1930
750	730	760	610	970	900	24-33	36	357	2005	1250	2300
800	780	810	650	1020	950	28-33	36	380	2115	1250	2720

## SERIES F 7351 - JIS 5K Bronze Globe Check Valve

Manufactured in accordance to JIS F 7400 / Flanges as per JIS B 2240 - 5K



SERIES F 7351 DIA 15A~40A Globe Check Valve



DIA 50A~65A Globe Check Valve

Part No.	Material
1 - Body	Bronze
2 - Bonnet	Bronze
3 - Disc	Bronze
4 - Stem	Brass

Test Pressure MPa[Kgf/cm2]	
Body	1.05 [10.5]
Seat	0.77 [7.7]

SIZE	d	L	C	D	n-h	t	H	D2	Kg
015	15	100	60	80	4-12	9	130	80	1,96
020	20	110	65	85	4-12	10	140	100	2,77
025	25	120	75	95	4-12	10	155	125	3,41
032	32	140	90	115	4-15	12	165	125	4,86
040	40	160	95	120	4-15	12	185	140	6,30
050	50	210	105	130	4-15	14	235	140	11,7
065	65	250	130	155	4-15	14	260	160	17,0