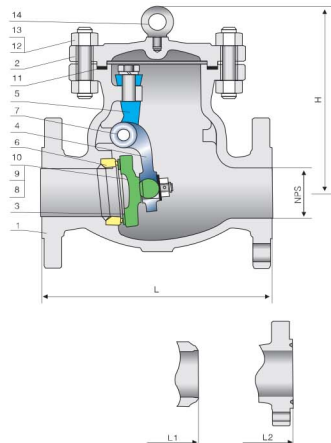


Applicable Standards:

- STEEL CHECK VALVES, API 6D
- STEEL CHECK VALVES, ISO 14313
- STEEL VALVES, ASME B16.34
- FACE TO FACE, ASME B16.10
- END FLANGES, ASME B16.5
- BUTTWELDING ENDS, ASME B16.25
- INSPECTION AND TEST, API 598/API 6D



Design descriptions:

- BC, BOLTED COVER
- SWING TYPE, ANTI-ROTATION DISC
- RENEWABLE SEAT RINGS
- NON-PENETRATE DISC SHAFT
- HORIZONTAL OR VERTICAL SERVICE
- FLANGED OR BUTTWELDING ENDS

Materials of parts

No	Part Name	ASTM Materials		
		Carbon Steel	1 1/2Cr-1/2Mo	Carbon Steel
1	Body	A216-WCB	A217-WC6	A352-LCB
2	Cover	A216-WCB	A217-WC6	A352-LCB
3	Disc ¹⁾	A105-CR13	A182-F11+HF	A350-LF2+CR13
4	Hinge	A216-WCB	A217-WC6	A352-LCB
5	Fork Part	A216-WCB	A217-WC6	A352-LCB
6	Seat Ring	A105+CR13	A182-F11+HF	A350-LF2+CR13
7	Hinge Pin	A276-420	A276-304	A276-420
8	Disc Washer	Carbon Steel	A276-304	Carbon Steel
9	Disc Nut	Carbon Steel	A194-7	Carbon Steel
10	Disc Nut Pin	Carbon Steel	A276-420	Carbon Steel
11	Gasket	Spiral Wound (Graphite+304)		
12	Stud	A193-B7	A193-B16	A320-L7
13	Stud Nut	A194-2H	A194-7	A194-4
14	Eyebolt ²⁾	Carbon Steel		

Note: 1) Cast steel disc for NPS 4" and above.

2) NPS 6" & larger.

3) Disc and tool ring may either be solid facing material or a base material equal to or better than the body/flange material with facing as shown.

Dimensional datas of JIS20K Swing Check Valve

NPS DN	2	2 1/2	3	4	6	8	10	12	14	16	18	20	24	26	28	30	36	
	50	65	80	100	150	200	250	300	350	400	450	500	600	650	700	750	900	in mm
LL1 (FF/BW)	10.50	11.50	12.50	14.00	17.50	21.00	24.50	28.00	33.00	34.00	38.50	40.00	53.00	53.00	59.00	62.75	82.00	in mm
L2 (RTJ)	267	292	318	356	445	533	622	711	838	864	978	1016	1346	1346	1499	1594	2083	mm
H	11.12	12.12	13.12	14.62	18.12	21.62	25.12	28.62	33.62	34.62	39.12	40.75	53.88	54.00	60.00	63.75	—	in mm
wt(kg)	283	308	333	371	460	549	638	727	854	879	994	1035	1368	1372	1524	1619	—	mm Rf/RTJ
	6.00	6.50	6.88	8.00	11.50	13.88	15.38	17.00	18.75	20.62	22.88	24.62	34.75	35.88	37.00	38.62	48.00	in mm
	152	165	175	204	292	353	390	432	475	525	582	627	883	910	940	980	1220	mm
	16	23	29	46	82	136	204	302	405	465	525	730	985	1115	1465	1840	2290	3180
	11	13	18	31	61	103	155	245	315	503	593	812	895	1205	1525	1895	2395	BW