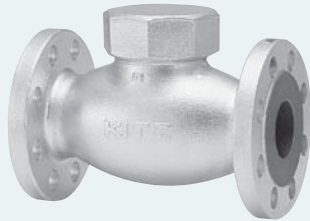
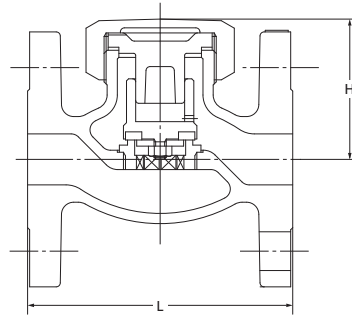


20K Lift Check Valve for Gas Service

20SNDB
U.B.
RF-flanged



PTFE disc for gas service



F-F dimension : JIS B 2002
End flanges : JIS B 2239 20K

120°C gas..... 2.4MPa

Materials

Parts	JIS material
Body	FCD-S
Bonnet	SCS1
Bonnet ring	FCD-S
Disc	PTFE
Disc holder	SUS304
Gasket	Non-asbestos Sheet
Body seat ring	SCS13A
Disc washer	SUS304

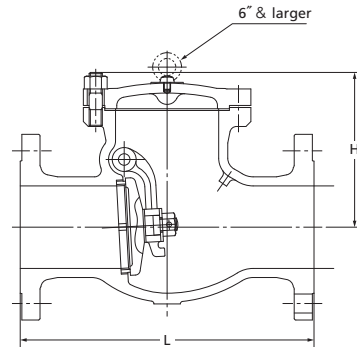
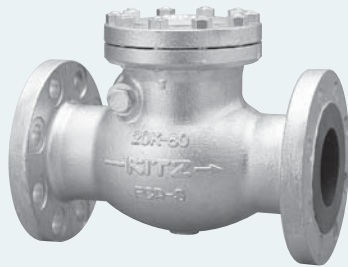
Dimensions

Size	mm						
	mm	15	20	25	32	40	50
	inch	1/2	3/4	1	1 1/4	1 1/2	2
L		110	120	130	160	180	230
H		56	60	68	80	85	99

NOTE : For flange dimensions, refer to Page 40.

20K Swing Check Valve

20SOB
B.C.
RF-flanged



F-F dimension : JIS B 2002
End flanges : JIS B 2239 20K

120°C Static water..... 2.8MPa
220°C Steam, air, gas, oil..... 2.5MPa
300°C Steam, air, gas, oil..... 2.3MPa
350°C Steam, air, gas, oil..... 2.0MPa

Materials

Parts	JIS material
Body	FCD-S
Cover	FCD-S
Disc	SUS403 (8"~12" : SCPH2 + 13Cr)
Disc nut	SS400 (5"~12" : SUS304)
Body seat ring	SUS403
Arm	SCS13A (5"~12" : SFVC2A / SCPH2)
Hinge pin	SUS403
Split pin	SUS304
Plug	SS400
Washer	SS400
Gasket	Soft Steel
Cover bolt/nut	Carbon Steel

Dimensions

Size	mm									
	mm	50	65	80	100	125	150	200	250	300
	inch	2	2 1/2	3	4	5	6	8	10	12
L		267	292	318	356	400	444	533	622	711
H		135	145	160	185	220	240	275	335	370

NOTE : For flange dimensions, refer to Page 40.