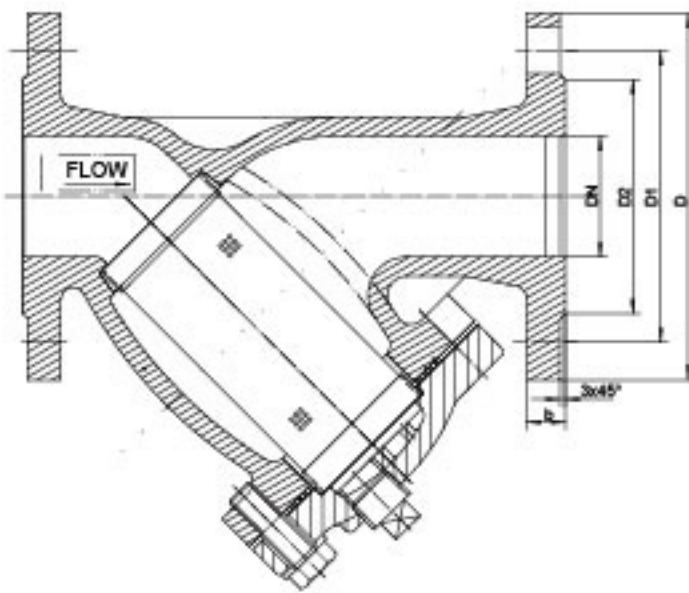


PN10/16 Y-Strainer



Specifications

Basic standard
<ul style="list-style-type: none"> ● Flange end: EN1092-2:1997 PN10/16 ● Test: ISO5208
Feature
<ul style="list-style-type: none"> ● Nominal Pressure (mpa): 1.6 ● Strength test: 2.46mpa ● Suitable medium: -10-200℃ ● Suitable temperature: water,oil,steam

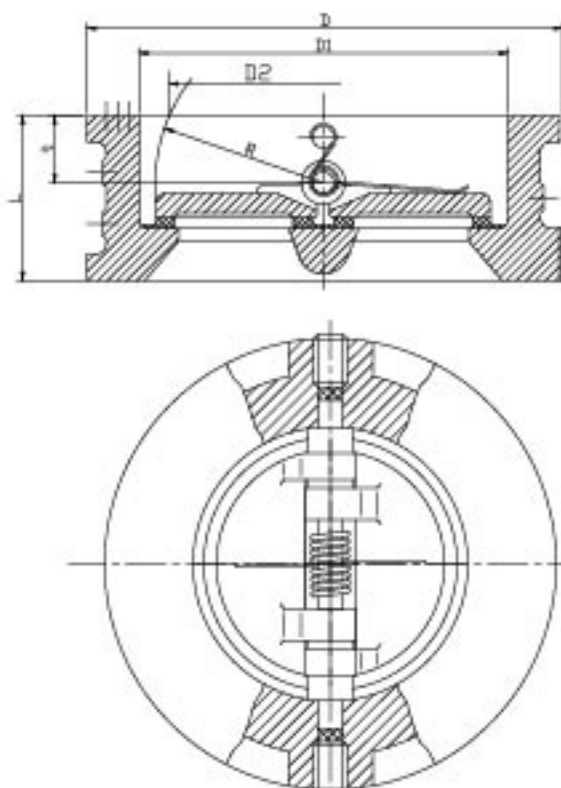
Main parts and materials

Part Name	Material
Body	Cast Iron
Bonnet	Cast Iron
Screen	SS304

Dimensions

DN	L	D	D1	D2	b	Z×Φd
50	225	165	125	99	16	4×Φ19
65	273	185	145	118	17.5	4×Φ19
80	292	200	160	132	19.1	8×Φ19
100	352	220	180	156	24	8×Φ19
125	416	250	210	184	24	8×Φ19
150	470	285	240	211	25.4	8×Φ23
200	543	340	295	266	28.5	12×Φ23
250	660	405	355	319	30	12×Φ23
300	762	460	410	370	31.8	12×Φ28

PN10/16 Wafer Check Valve



Specifications

Basic standard
<ul style="list-style-type: none"> ● Face to face: EN558-1 SERIES 16 ● Flange end: ANSI125/150 DIN2205 PN10/16 BS4504 PN10/16 JIS10K
Feature
<ul style="list-style-type: none"> ● Nominal Pressure (mpa): 1.0 / 1.6 ● Seal test(water): 15bar / 24bar ● Shell test(water): 11bar/ 17.6bar ● Suitable medium: water

Main parts and materials

Part Name	Material
Seat	EPDM
Body	Ductile iron/Cast iron
Disc	GGG50/SS304/316
Stem	SS420/304
Spring	SS420/304

Dimensions

DN	D	D1	D2	L	R	t
40	91	57	35	43	25.8	19
50	107	65	40	43	27	18.4
65	127	80	60	46	35	19.8
80	142	94	70	64	42	27.7
100	162	117	88	64	50	27.7
125	192	145	115	70	64	30.3
150	218	171	134	76	77	31.6
200	273	224	182	89	102.5	32.9
250	328	265	220	114	125	50.5
300	378	310	260	114	146	43.3
350	437	360	298	127	170	45.3
400	488	410	350	140	195	52.3
450	539	450	385	152	215	58.2
500	594	505	438	152	238	58.3
600	695	624.5	538	178	292	74.6
700	810	720	662	229	345	98