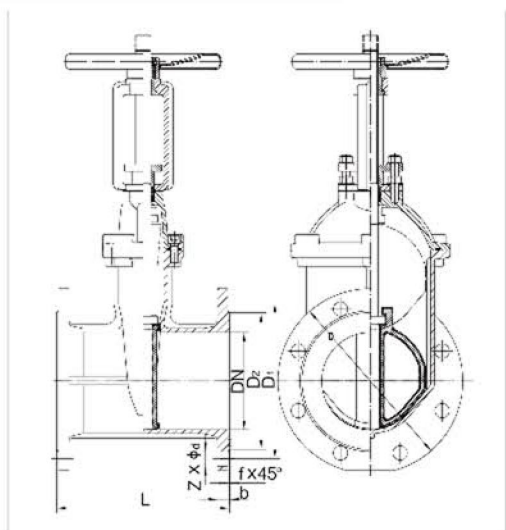


## PN10/16 OS & Y Resilient Seat Gate Valve



### Main parts and materials

Part Name	Material
Body	Ductile Iron
Disc	Ductile Iron+EPDM
Stem	2Cr13
Gasket	EPDM

### Specification

Basic standard	<ul style="list-style-type: none"> <li>• Design and manufacture: BS 5163</li> <li>• Flange end: EN 1092 PN10/16</li> <li>• Face to face: BS 5163</li> </ul>
Feature	<ul style="list-style-type: none"> <li>• Nominal Pressure (mpa): 1.6</li> <li>• Seal test: 1.8mpa</li> <li>• Shell test: 2.4 mpa</li> <li>• Suitable temperature: <math>\leq 80^{\circ}\text{C}</math></li> <li>• Suitable medium: water</li> </ul>

### Dimensions

DN	L	D	D1	D2	b	f	Z- $\Phi$ d
50	178 $\pm$ 1.5	165	125	99	19	3	4x- $\Phi$ 19
65	190 $\pm$ 2	185	145	118	19	3	4x- $\Phi$ 19
80	203 $\pm$ 2	200	160	132	19	3	8x- $\Phi$ 19
100	229 $\pm$ 2	220	180	156	21	3	8x- $\Phi$ 19
125	254 $\pm$ 2	250	210	184	22	3	8x- $\Phi$ 19
150	267 $\pm$ 2	285	240	211	22	3	8x- $\Phi$ 23
200	292 $\pm$ 2	340	295	266	23	3	12x- $\Phi$ 23
250	330 $\pm$ 3	405	355	319	26	3	12x- $\Phi$ 28
300	356 $\pm$ 3	460	410	370	28.5	4	12x- $\Phi$ 28
350	381 $\pm$ 3	520	470	429	26.5	4	16x- $\Phi$ 28
400	406 $\pm$ 3	580	525	480	28	4	16x- $\Phi$ 31
450	432 $\pm$ 3	640	585	548	30	4	20x- $\Phi$ 31
500	457 $\pm$ 4	715	650	609	31.5	4	20x- $\Phi$ 34
600	508 $\pm$ 4	840	770	720	36	4	20x- $\Phi$ 37