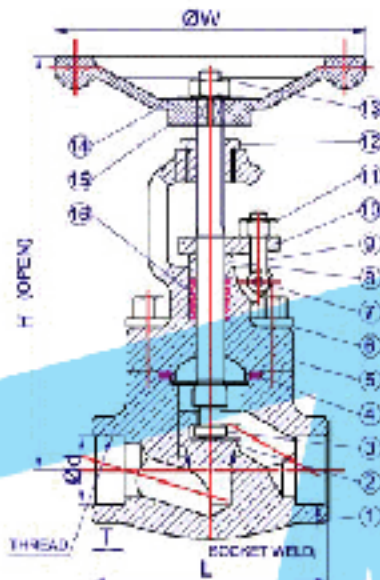


800LB 鍛鋼截止閥

800LB FORGED STEEL GLOBE VALVE



牙口端 SCREWED END

TC-453S A182 F22-ANSI-800LB

TC-454S A105N-ANSI-800LB

TC-455S A182 F304-ANSI-800LB

TC-456S A182 F316-ANSI-800LB

套焊口端 SOCKET WELD END

TC-453SW A182 F22-ANSI-800LB

TC-454SW A105N-ANSI-800LB

TC-455SW A182 F304-ANSI-800LB

TC-456SW A182 F316-ANSI-800LB

壓力測試 TEST PRESSURE:

| | | | |
|--------|---------------------------|-----------|-----|
| 公稱壓力 | Nominal pressure | 800 | CL |
| 強度試驗 | Strength testing pressure | 21 | MPa |
| 上密封試驗 | Back seal test | 15.6 | MPa |
| 密封試驗 | Seal test | 15.6 | MPa |
| 氣密封試驗 | Steam seal test | 0.6 | MPa |
| 最高工作溫度 | Max. working temperature | 425 | °C |
| 適用介質 | Applicable | W.O.G etc | |

尺寸表 DIMENSIONS:

| SIZE | d | L | H | W | T |
|--------|------|-----|-----|-----|------|
| 1/2" | 21.8 | 79 | 160 | 90 | 9.6 |
| 3/4" | 27.2 | 92 | 161 | 90 | 12.7 |
| 1" | 33.0 | 111 | 200 | 115 | 12.7 |
| 1 1/4" | 42.7 | 120 | 234 | 145 | 12.7 |
| 1 1/2" | 48.8 | 152 | 245 | 145 | 12.7 |
| 2" | 61.1 | 172 | 285 | 170 | 15.7 |

材質表 MATERIALS LIST:

| NO. | 名稱 | PART NAME | CS to ASTM | AS to ASTM | SS to ASTM | |
|-----|------|---------------|-------------------|------------|--------------|--------------|
| | | | Type A 105N | Type F 22 | Type F304(L) | Type F316(L) |
| 1 | 閥體 | BODY | A105N | A182 F22 | A182 F304(L) | A182 F316(L) |
| 2 | 閥盤 | DISC | A276 420 | A276 F22 | A276 304(L) | A276 316(L) |
| 3 | 閥杆 | STEM | A182 F6a | A182 | A182 F304(L) | A182 F316(L) |
| 4 | 墊片 | GASKET | 304+GRAPHITE | | 316+GRAPHITE | |
| 5 | 閥蓋 | BONNET | A105N | A182 F22 | A182 F304(L) | A182 F316(L) |
| 6 | 螺栓 | BONNET BOLT | A193 B7 | A193 B16 | A193 B8 | A193 B8M |
| 7 | 圓柱銷 | PIN | A276 420 | | A276 F304 | |
| 8 | 填料函套 | GLAND | A276 420 | | A182 F316(L) | |
| 9 | 活動螺栓 | GLAND EYEBOLT | A193 B7 | A193 B8 | A193 B8 | A193 B8M |
| 10 | 填料函環 | GLAND FLANGE | A105 | | A182 F304 | |
| 11 | 墊板螺母 | GLAND NUT | A194 2H | A194 4 | A194 8 | A194 8M |
| 12 | 閥杆螺母 | YOKE NUT | A276 420 | | | |
| 13 | 鎖緊螺母 | H.W LOCK NUT | A194 2H | A194 4 | A194 8 | A194 8M |
| 14 | 銘牌 | NAMEPLATE | SS304 | | | |
| 15 | 手輪 | HANDLEWHEEL | A197 | | | |
| 16 | 填料 | STEM PACKING | EXPANDED GRAPHITE | | | |