

# GD-24

- Direct type    Pilot type    Piston    **Diaphragm**
- Bellows    **Internal sensing**    External sensing    Stainless steel
- With handle    Built-in strainer    Low pressure    Remote
- Valve leakage 0**    Nylon

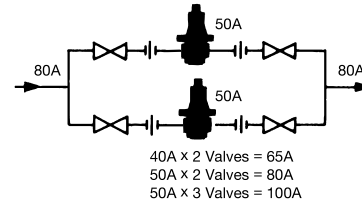


GD-24

## ■Features

1. Direct acting and hanging type, no sliding parts. Free of performance deterioration caused by wear of sliding parts and great durability.
2. Wetted parts are made of corrosion-resistant material to prevent rusty water.
3. Highly wear-resistance and durability of stainless steel made valve seat.
4. Closed structure keeps fluid inside even if the diaphragm is damaged or broken.
5. Horizontal or vertical piping is possible.

· If a large capacity is required, valves can be installed in parallel.



## ■Specifications

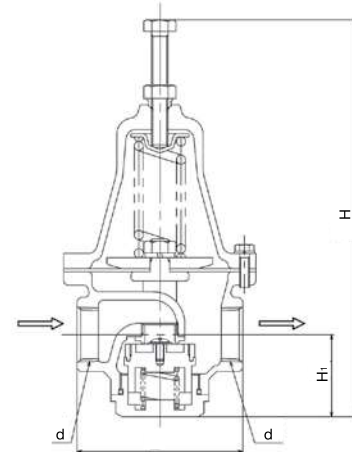
Model		GD-24
Application		Cold and hot water, Flushing water
Inlet pressure		0.2-1.6 MPa
Reduced pressure		0.05-0.55 MPa
Minimum differential pressure		0.05 MPa
Maximum pressure reduction ratio		10:1
Application temperature		5-80°C *
Material	Body	Cast bronze
	Valve	Bronze
	Valve disc	Urethane rubber
	Valve seat	Stainless steel
	Diaphragm	NBR
	Cap	Bronze
Plug		Stainless steel
Connection		JIS Rc screwed

\* Do not use the valve continuously at a temperature of 70°C or above.

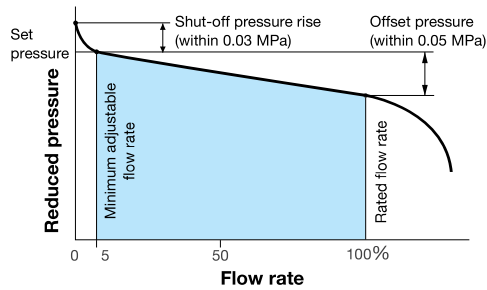
Pressure Reducing Valve

■ Dimensions (mm) and Weights (kg)

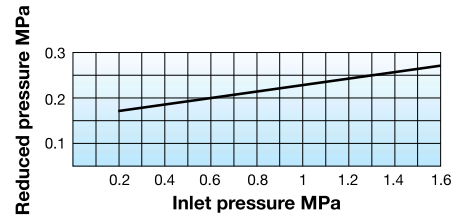
Nominal size	d	L	H	H <sub>1</sub>	Weight
15A	Rc 1/2	80	193	42	1.8
20A	Rc 3/4	90	210	45	2.4
25A	Rc 1	100	230	50	3.3
32A	Rc 1-1/4	120	265	60	4.7
40A	Rc 1-1/2	150	315	62	8.2
50A	Rc 2	185	365	73	14.3



Flow Characteristic Chart



Pressure Characteristic Chart



This chart shows variation in reduced pressure when the inlet pressure of 0.6 MPa is changed between 0.2 MPa and 1.6 MPa while the reduced pressure is set at 0.2 MPa.

■ Nominal Sizes Selection Chart (For Water)

