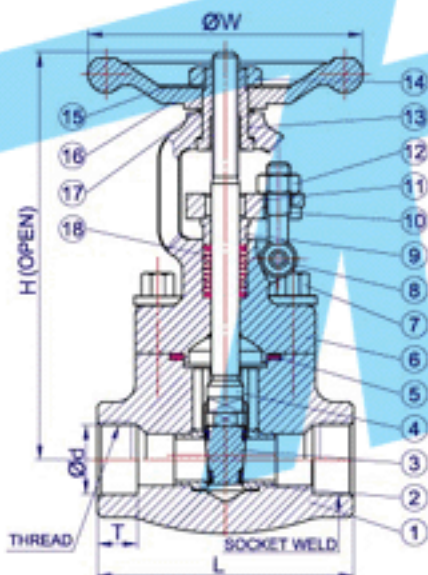


800LB 鍛鋼閘閥

800LB FORGED STEEL GATE VALVE



牙口端 SCREWED END

TC-353S A182 F22-ANSI-800LB
 TC-354S A105N-ANSI-800LB
 TC-355S A182 F304-ANSI-800LB
 TC-356S A182 F316-ANSI-800LB

套焊口端 SOCKET WELD END

TC-353SW A182 F22-ANSI-800LB
 TC-354SW A105N-ANSI-800LB
 TC-355SW A182 F304-ANSI-800LB
 TC-356SW A182 F316-ANSI-800LB

壓力測試 TEST PRESSURE:

公稱壓力	Nominal pressure	800	CL
強度試驗	Strength testing pressure	21	MPa
上密封試驗	Back seal test	15.6	MPa
密封試驗	Seal test	15.6	MPa
氣密封試驗	Steam seal test	0.6	MPa
最高工作溫度	Max. working temperature	425	°C
適用介質	Applicable	W.O.G. etc	

尺寸表 DIMENSIONS:

SIZE	d	L	H	W	T
1/2"	21.9	79	160	90	9.6
3/4"	27.2	92	165	90	12.7
1"	33.9	111	195	115	12.7
1 1/4"	42.7	120	242	145	12.7
1 1/2"	48.8	120	252	145	12.7
2"	61.2	140	290	170	15.7

材質表 MATERIALS LIST:

NO.	名稱	PART NAME	CS to ASTM	AS to ASTM	SS to ASTM	
			Type A 105N	Type F 22	Type F304(L)	Type F316(L)
1	閘體	BODY	A105N	A182 F22	A182 F304(L)	A182 F316(L)
2	閘座	STEM RING	A276 420	A276 304	A276 304(L)	A276 316(L)
3	閘板	WEDGE	A276/F430	A182 F304	A182 F304(L)	A182 F316(L)
4	閘杆	STEM	A182 F6	A182 F22	A182 F304(L)	A182 F316(L)
5	墊片	GASKET	304+GRAPHITE		316+GRAPHITE	
6	閘蓋	BONNET	A105	A182 F22	A182 F304(L)	A182 F316(L)
7	螺栓	BONNET BOLT	A193 B7	A193 B16	A193 B8	A193 B8M
8	圓柱銷	PIN	A276 420		A182 F304	
9	填料壓套	GLAND	A276 420		A182 F304(L)	A182 F316(L)
10	活節螺栓	GLAND EYEBOLT	A193 B7	A193 B16	A193 B8	A193 B8M
11	填料壓板	GLAND FLANGE	A105	A182 F11	A182 F304(L)	A182 F316(L)
12	壓板螺母	GLAND NUT	A194 2H	A194 4	A194 8	A194 8M
13	閘杆螺母	YOKE NUT	A276 420			
14	鎖緊螺母	H.W.LOCK NUT	A194 2H	A194 4	A194 8	A194 8M
15	銘牌	NAMEPLATE	SS304			
16	手輪	HANDLEWHEEL	A197			
17	潤滑墊片	BEARING GASKET	A473 431			
18	填料	STEM PACKING	EXPANDED GRAPHITE			