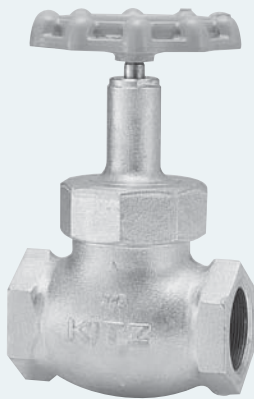
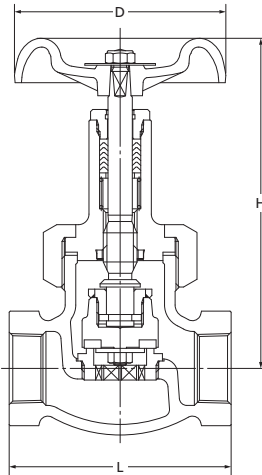


## 20K Globe Valve with Soft Disc for Gas Service

**20SDL**  
U.B.I.S.



PTFE disc for gas service



E-E dimension : KITZ Std.  
End threads : JIS B 0203

80°C gas..... 2.4MPa

### Materials

Parts	JIS material
Body	FCD-S
Bonnet	FCD-S
Bonnet ring	FCD-S
Stem	SUS420J2
Disc	PTFE
Gland	SUS303
Gland packing	NBR
Handwheel	ADC12 (3/8" & 1/2" : ZDC2)
Gasket	Non-asbestos Sheet
Body seat ring	SCS13A
Stem washer	SUS403
Disc washer	SUS403
Spring	SUS304 WPB

### Dimensions

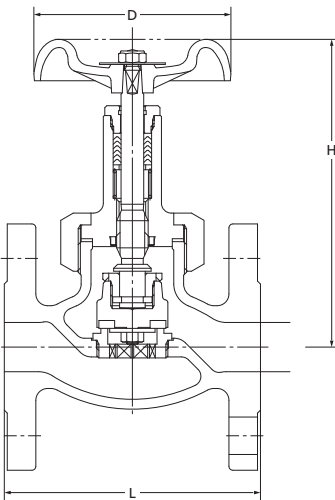
Size	mm							
	mm	10	15	20	25	32	40	50
	inch	3/8	1/2	3/4	1	1 1/4	1 1/2	2
L		75	78	91	105	122	135	160
H (open)		128	128	147	168	192	201	237
D		70	70	90	100	115	135	155

## 20K Globe Valve with Soft Disc for Gas Service

**20SDLB**  
U.B.I.S.  
RF-flanged.



PTFE disc for gas service



F-F dimension : JIS B 2002 JV 4-4  
End flanges : JIS B 2239 20K

80°C gas..... 2.4MPa

### Materials

Parts	JIS material
Body	FCD-S
Bonnet	FCD-S
Stem	SUS420J2
Disc	G/F PTFE
Gland	SUS303
Gland packing	NBR
Handwheel	ADC12 (1/2" : ZDC2)
Gasket	Non-asbestos Sheet
Body seat ring	SCS13A
Stem washer	SUS403
Disc washer	SUS304
Spring	SUS304 WPB

### Dimensions

Size	mm						
	mm	15	20	25	32	40	50
	inch	1/2	3/4	1	1 1/4	1 1/2	2
L		110	120	130	160	180	230
H (open)		128	147	168	192	201	237
D		70	90	100	115	135	155

NOTE : For flange dimensions, refer to Page 40.